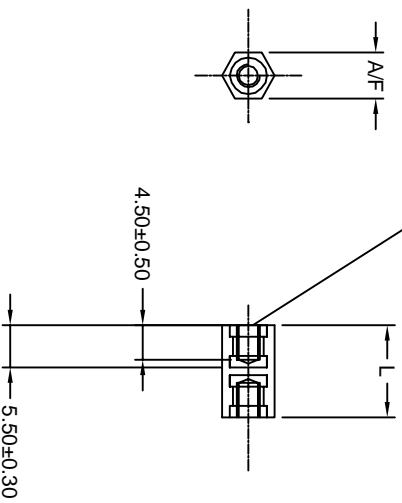


Brass Insert With M3 Tapping



AVAILABLE SIZES

A/F	L	THREADING	PART CODE
6	12	M3	AEH56312NN
6	13	M3	AEH56313NN

ANAND Enterprises		TOLERANCE UNLESS OTHERWISE STATED		±0.2
HEAT TREATMENT		N/A		ANGLE +0.10°
MATERIAL		NYLON 6 BLACK		UNIT
TITLE		HEX SPACERS MOLDED WITH INSERTS		MM
DATE		17.8.2011		QTY.
DRG. NO.		112		
SCALE		1:1		SHEET 1 OF 1